



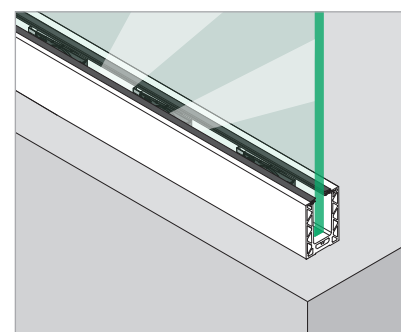
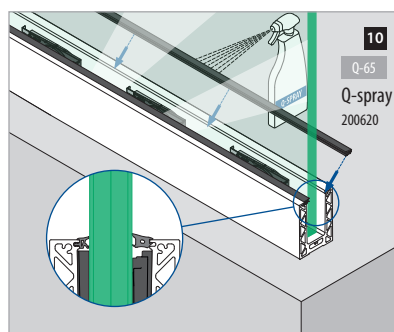
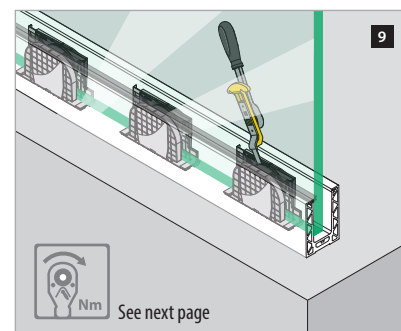
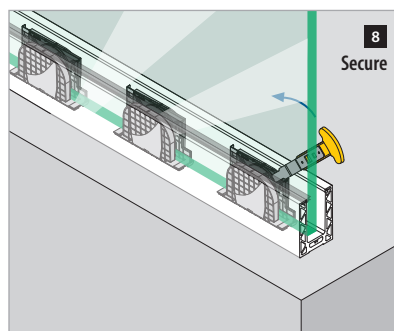
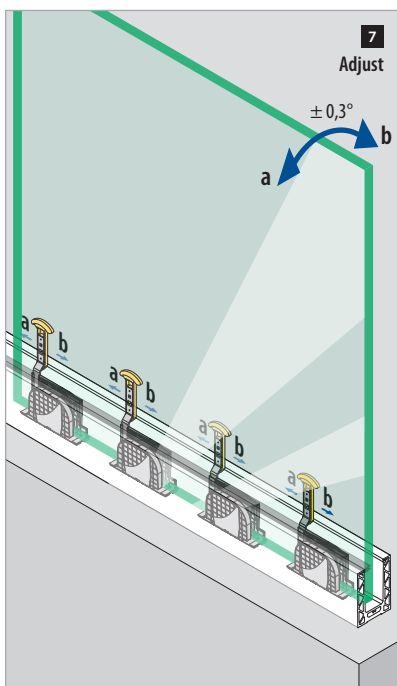
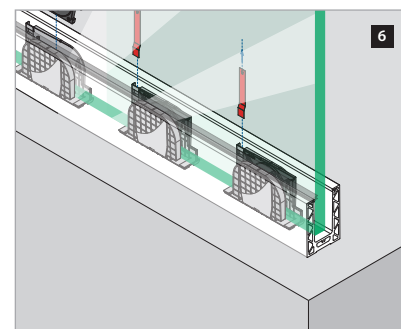
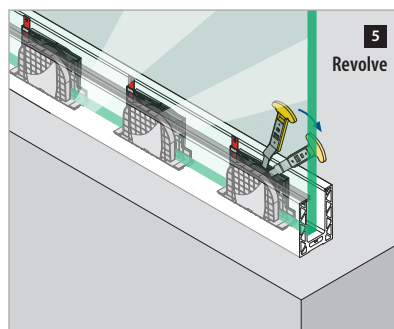
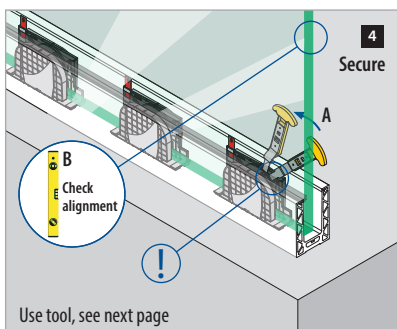
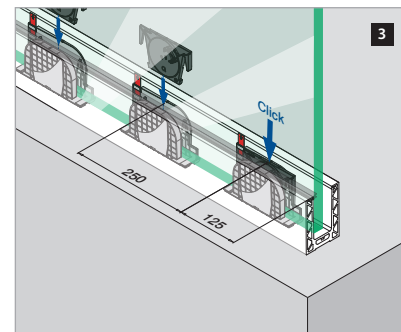
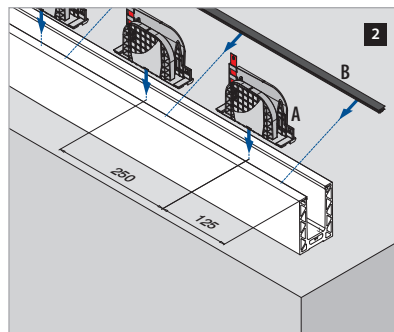
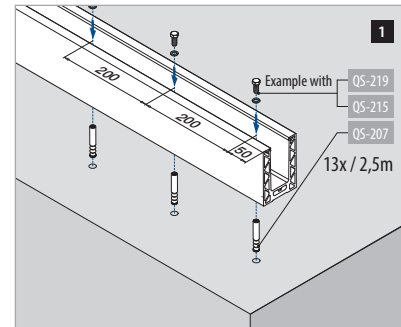
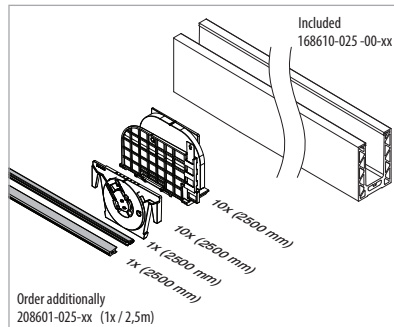
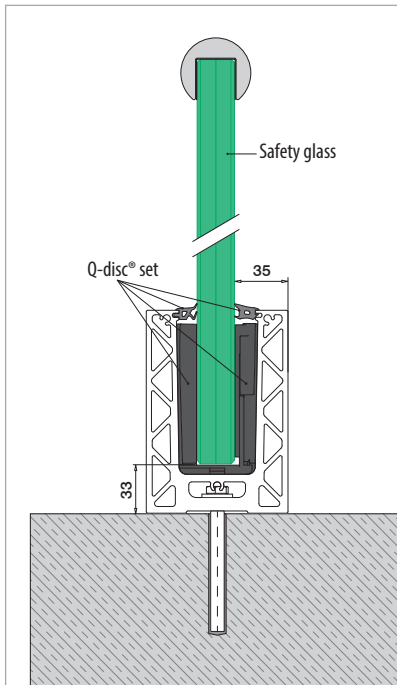
ASSEMBLY GUIDE

168610-025-00-xx

Railing base
EASY GLASS® STRONG TOP - Base shoe, top mount

For adjustable glass fixation

Q-INFO MOD 8610



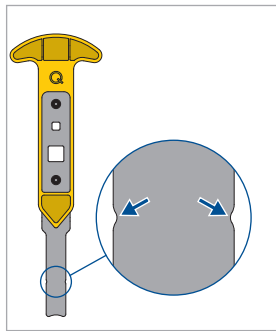
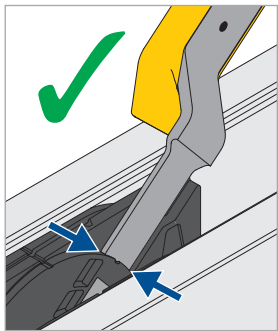
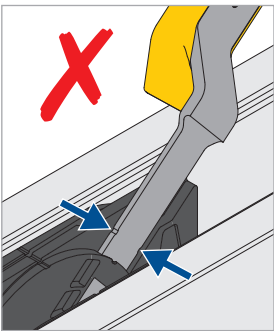
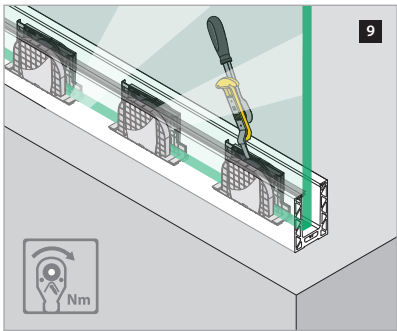


Q-disc® System

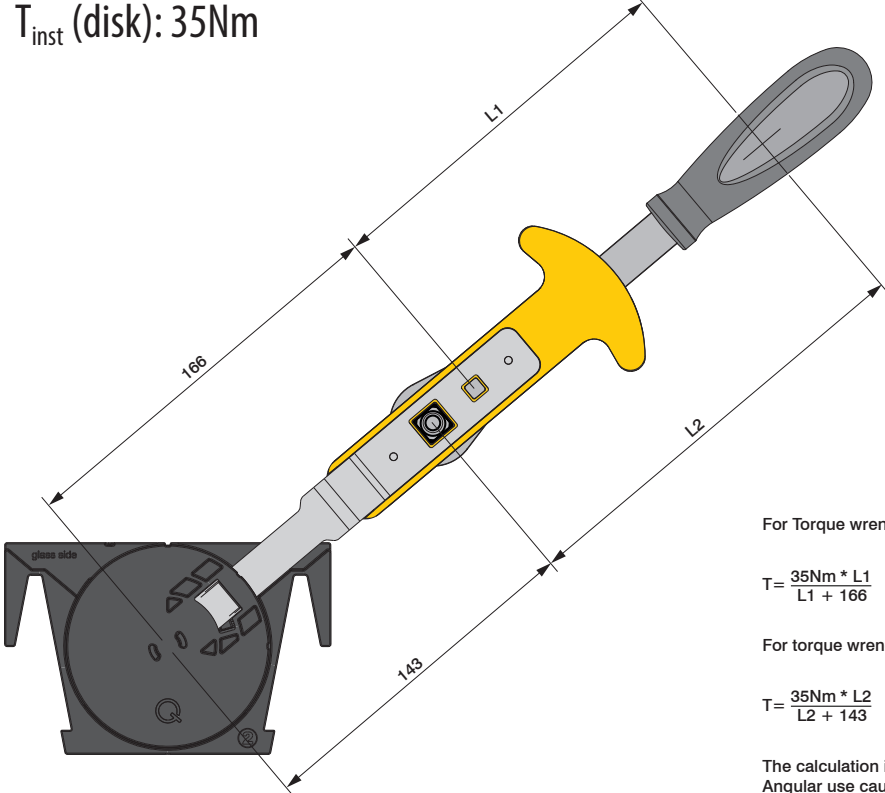
Q-disc and inlay tool

For adjustable glass fixation

Q-INFO MOD 8601 / 1000



T_{inst} (disk): 35Nm



For Torque wrench 1/4":

$$T = \frac{35\text{Nm} * L1}{L1 + 166}$$

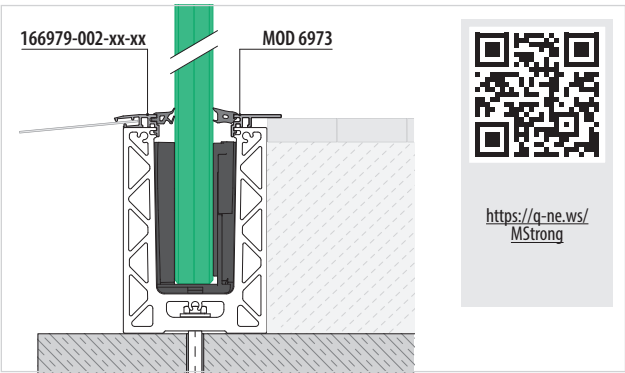
For torque wrench 1/2"

$$T = \frac{35\text{Nm} * L2}{L2 + 143}$$

The calculation is valid for straight-lined use. Angular use causes different torque.

Railing base

EASY GLASS® STRONG TOP - Trims, top mount



©2023 - Q-railing Europe GmbH & Co. KG - All rights reserved
www.q-railing.com